

BA302-IS ADDRESSABLE MANUAL CALL POINT WITH BUILT-IN ISOLATOR



BA302-IS Addressable Resettable Manual Call Point with built-in isolator is designed for manual notification of fire or emergency situation in the addressable fire system. It can be activated by pressing the resettable plastic apparatus in front of it. An animated notification LED is present, and when the button is active, this LED stays constantly lit. After pressing the apparatus, it can be reset with special key. When the button is pressed and activated, it transmits the fire information to the control panel over the communication line. The address given to the MCP by the RB1201 Address Programmer is saved and stored in the memory. There is also a model without built-in isolator as BA302.

Features

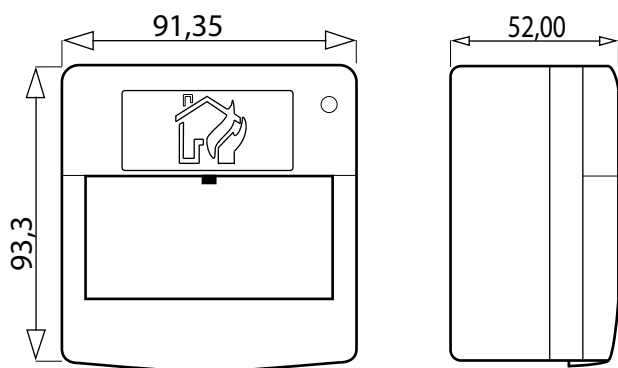
- Robust and aesthetic PC/ABS case
- Programmable address information in nonvolatile memory
- Programmable with RB1201 Address programmer
- Led indicator
- Resettable with special key
- Compatible with EN54-11 & EN54-17



EN54-11:2001 + EN54-17:2005

TECHNICAL SPECIFICATIONS

LOOP OPERATING VOLTAGE	16 - 30 Vdc
LOOP OPERATING CURRENT	<150µA @ 24 VDC (every 8 seconds with LED blink enabled)
MAXIMUM ALARM CURRENT	<4 mA @ 24 VDC (LED on)
ISOLATOR SPECIFICATIONS	
ISOLATOR TYPE/SWITCH CURRENT	SSCS (A.3) / 230-400mA
ISOLATOR RECONNECT/LEAKAGE CURRENT	3-13mA / max. 18mA
STANDBY CURRENT/SERIAL RESISTANCE	max. 150uA / max. 1 ohm
ENVIRONMENTAL SPECIFICATIONS	
HUMIDITY	10% - 93% Relative Humidity, Non-condensing
OPERATING TEMPERATURE	-10°C - 50°C



PHYSICAL SPECIFICATIONS

CASE MATERIAL	PC/ABS Case
DIMENSIONS (H x W x D)	93,3 x 91,35 x 52 mm
WEIGHT	120 grams