

CO540 ADDRESSABLE CARBONMONOXIDE DETECTOR



CO540 Addressable Carbon Monoxide Detector is the main component of the Carbon monoxide control system and works together with the CO-016 Control panel as a Scada system.

CO540 Carbon Monoxide detectors are designed to detect gas leaks according to the density level in areas such as car parks and tunnels and to report these density levels to the CO-016 Carbon Monoxide Control Panel. The system is designed to detect gas leaks, evaluate and operate ventilation fans and other warning devices at predetermined levels.

Thanks to its microprocessor-controlled design, the CO540 Carbon Monoxide detector can measure with a sensitivity of 2 ppm. The device communicates with the control panel by a single 2-wire cable, it does not need an extra supply cable.

Features

- IP54 robust and aesthetic ABS plastic case
- Microprocessor based design
- Production with SMT technology
- Sensitive measurement with 10-bit analog-to-digital conversion
- 0 - 300 ppm measuring range
- Intelligent interactive communication with Redban RAAP protocol
- Programmable address and calibration information in permanent memory
- Programmable with RB1201 programmer
- No external power required
- Calibration mask
- Compatible with EN 50545-1



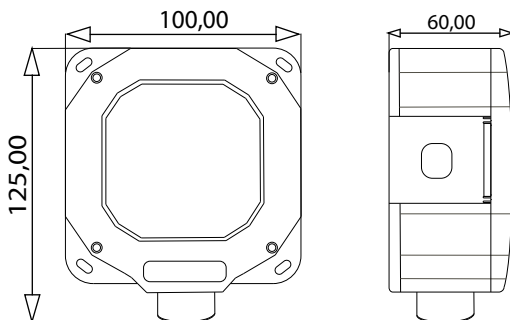
EN 50545-1:2012

TECHNICAL SPECIFICATIONS

LOOP OPERATING VOLTAGE	16 - 30 Vdc
LOOP OPERATING CURRENT	<1,2 mA @24 Vdc (every 8 seconds with LED blink enabled)
MAXIMUM ALARM CURRENT	<6 mA @ 24 VDC (LED on)
CALIBRATION & THRESHOLD VALUES	Set by the CO-016 Control Panel
RELAY CURRENT STRENGTH	200 mA @24 Vdc

ENVIRONMENTAL SPECIFICATIONS

HUMIDITY	10% - 93% Relative Humidity, Non-condensing
OPERATING TEMPERATURE	-10°C - 50°C
ENVIRONMENTAL CLASS	IP54



PHYSICAL SPECIFICATIONS

CASE MATERIAL	PC/ABS Case
DIMENSIONS (H x W x D)	125 x 100 x 60 mm
WEIGHT	180 grams