

## IO111-I, IO111-I-IS, IO111-O, IO111-O-IS, IO111, IO111-IS ADDRESSABLE INPUT/OUTPUT MODULE



The IO111/IO111-X-X Module series is designed to gather inputs from outside of the fire alarm system or provide output to control devices that indicate alarms or trigger any connected device within the system.

All modules are certified by EN54 standard, which is the European standard (EN54-18 for input/output module, EN54-17 for short-circuit isolator).

IO111-I or IO111-I-IS is used to connect devices from outside the system that need to be included. They can monitor the fault and alarm status of any device with relay contact. This capability allows devices that are not compatible with the fire panel to be added to the system.

IO111-O or IO111-O-IS can trigger any warning device in response to an alarm occurring in the fire alarm system. It is not affected by a power outage when changing relay direction.

IO111 or IO111-IS monitors the devices connected to its input and can control the desired devices as a result of an alarm. It can be programmed as an input-only, output-only, or both input and output module using the programming device.

Each module in the IO111-X-X module series is available in models with and without a built-in isolator.

### Features

- Input/Output Module
- Smart Addressable RAAP Protocol
- Powered by the loop
- Programmable with RB1201
- Two indicator LEDs
- Built-in isolator
- Memory Relay Output
- Open Circuit, Short Circuit and Alarm Detection
- Rail Mount and Wall Mount
- EN54-18 & EN54-17 Certified



EN54-18:2005 + EN54-17:2005  
**CPR No: 1922-CPR-1948**

## TECHNICAL SPECIFICATIONS

	<b>IO111/IO111-IS</b>	<b>IO111-I/IO111-I-IS</b>	<b>IO111-O/IO111-O-IS</b>
DESCRIPTION	Input/Output Module	Input Module	Output Module
STANDARDS	EN54-18/17	EN54-18/17	EN54-18/17
LOOP OPERATING VOLTAGE	16 - 30 Vdc	16 - 30 Vdc	16 - 30 Vdc
LOOP OPERATING CURRENT	<150µA @ 24 Vdc	<150µA @ 24 Vdc	<150µA @ 24 Vdc
MAXIMUM ALARM CURRENT	<12mA @ 24 Vdc (LED on)	<12 mA @ 24 Vdc (LED on)	<12 mA @ 24 Vdc (LED on)
RELAY CONTACT STRENGTH	300mA @ 24 Vdc	N/A	300mA @ 24 Vdc
SERIAL RESISTANCE	max. 1 Ohm	max. 1 Ohm	max. 1 Ohm
ADDRESSING MODE	Manuel Addressing	Manuel Addressing	Manuel Addressing

## SPECIFICATIONS

SYSTEM WIRING	Min. 0,8 mm <sup>2</sup> 2 core loop	Min. 0,8 mm <sup>2</sup> 2 core loop	Min. 0,8 mm <sup>2</sup> 2 core loop
MOUNTING POSITION	Wall Mount	Wall Mount	Wall Mount
MOUNTING OPTIONS	Surface Mount with Screw Rail Mount with Apparatus	Surface Mount with Screw Rail Mount with Apparatus	Surface Mount with Screw Rail Mount with Apparatus

## ISOLATOR SPECIFICATIONS

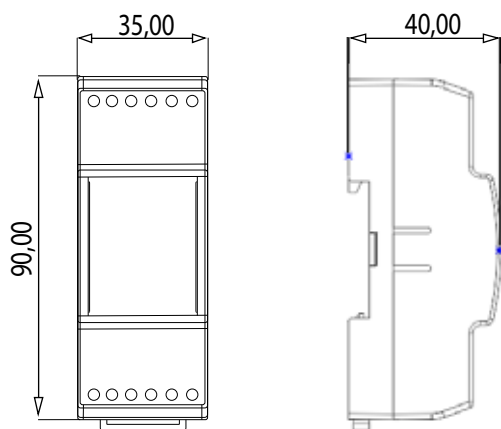
ISOLATOR TYPE/SWITCH CURRENT	SSCS (A.3) / 230-400mA	SSCS (A.3) / 230-400mA	SSCS (A.3) / 230-400mA
ISOLATOR RECONNECT/LEAKAGE CURRENT	3-13mA / max. 18mA	3-13mA / max. 18mA	3-13mA / max. 18mA
STANDBY CURRENT/SERIAL RESISTANCE	max. 150uA / max. 1 ohm	max. 150uA / max. 1 ohm	max. 150uA / max. 1 ohm

## ENVIRONMENTAL SPECIFICATIONS

HUMIDITY	10% - 93% Relative Humidity	10% - 93% Relative Humidity	10% - 93% Relative Humidity
	Non-condensing	Non-condensing	Non-condensing
OPERATING TEMPERATURE	-10°C - 50°C	-10°C - 50°C	-10°C - 50°C
ENVIRONMENTAL CATEGORY	IP21	IP21	IP21

## COMPATIBILTY

AP104 ADDRESSABLE FIRE PANEL	Yes	Yes	Yes
AP204 ADDRESSABLE FIRE PANEL	Yes	Yes	Yes
AP304 ADDRESSABLE FIRE PANEL	Yes	Yes	Yes



## PHYSICAL SPECIFICATIONS

CASE MATERIAL	PC/ABS Case
DIMENSIONS (H x W x D)	90 x 35 x 40 mm
WEIGHT	70 grams