

KP304, KP308, KP316 CONVENTIONAL FIRE ALARM PANELS



KP3xx Conventional fire alarm panel series are designed according to the latest technology in microprocessor based devices. 20 detectors (excluding button) can be connected to each zone. There are alarm relay output, error relay output and siren output on the panel mainboard. KP3xx also has a 24V output. If an external device is desired to be controlled from the relay outputs, 24V output can be used as a supply. KP3xx conventional fire alarm panel is produced with SMD Technology. These panels are EN 54-2/4 certified and can work compatible with all detectors and devices that comply with EN54 standards.

KP304 has 4 zones. 20 detectors (excluding buttons) can be connected to each zone. In total, 80 detectors can be operated in one panel.

KP308 has 8 zones. 20 detectors (excluding buttons) can be connected to each zone. In total, 160 detectors can be operated in one panel.

KP316 has 16 zones. 20 detectors (excluding buttons) can be connected to each zone. In total, 320 detectors can be operated in one panel.

Features

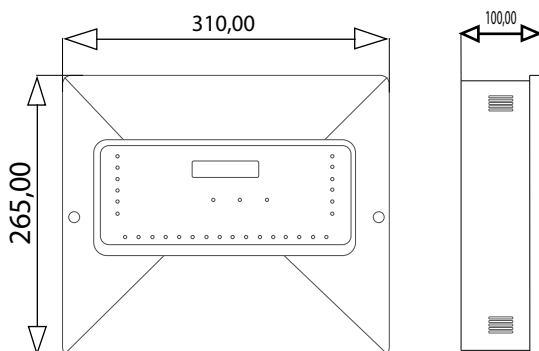
- Robust and aesthetic metal case
- Plastic front body
- 4, 8, 16 Zone Options
- Zone names can be written
- Real time clock
- Event Memory
- Turkish & English language support
- Alarm & error relay outputs
- 24V Auxiliary supply output
- EN54-2 & EN54-4 certified



EN54-2:1997 + EN54-4:1997
CPR No: 0370-CPR-3290

CONVENTIONAL FIRE ALARM SYSTEM

TECHNICAL SPECIFICATIONS	KP304	KP308	KP316
OPERATING VOLTAGE	180-240 V ac	180-240 V ac	180-240 V ac
POWER CONSUMPTION	100 W max.	100 W max.	100 W max.
BATTERY TYPE	Lead-Acid Sealed Battery	Lead-Acid Sealed Battery	Lead-Acid Sealed Battery
BATTERY CAPACITY	2 x 12V/7Ah	2 x 12V/7Ah	2 x 12V/7Ah
BATTERY SHORT-CIRCUIT PROTECTION	Yes	Yes	Yes
ZONE CAPACITY	4	8	16
ACTIVE DETECTOR			
CAPACITY PER ZONE	20 Pieces/Zone	20 Pieces/Zone	20 Pieces/Zone
MAXIMUM LOAD PER ZONE	120R	120R	120R
PASSIVE DETECTOR			
CAPACITY PER ZONE	Unlimited	Unlimited	Unlimited
END OF LINE RESISTANCE	6.8 KOhm(6.8K-20K)	6.8 KOhm(6.8K-20K)	6.8 KOhm(6.8K-20K)
SIREN SUPERVISED OUTPUT			
OUTPUT TYPE	Relay N.Open Contact	Relay N.Open Contact	Relay N.Open Contact
CONTACT STRENGTH	2 A @ 30 V dc	2 A @ 30 V dc	2 A @ 30 V dc
FUSE	400 mA Automatic Reset	400 mA Automatic Reset	400 mA Automatic Reset
MAXIMUM VOLTAGE	30V	30V	30V
ALARM RELAY OUTPUT			
OUTPUT TYPE	N.Open (NO), N.Closed (NC)	N.Open (NO), N.Closed (NC)	N.Open (NO), N.Closed (NC)
CONTACT STRENGTH	2 A @ 30 V dc	2 A @ 30 V dc	2 A @ 30 V dc
ERROR RELAY OUTPUT			
OUTPUT TYPE	N.Open (NO), N.Closed (NC)	N.Open (NO), N.Closed (NC)	N.Open (NO), N.Closed (NC)
CONTACT STRENGTH	2 A @ 30 V dc	2 A @ 30 V dc	2 A @ 30 V dc
24V DC PROTECTED VOLTAGE OUTPUT			
OUTPUT CURRENT	400 mA, Resettable Fused	400 mA, Resettable Fused	400 mA, Resettable Fused
24V DC NOT PROTECTED VOLTAGE OUTPUT			
OUTPUT CURRENT	2A (Unfused)	2A (Unfused)	2A (Unfused)
GK120 POWER SUPPLY (Parameters)			
Battery Resistance	400 mΩ	400 mΩ	400 mΩ
EN54-4 Test Parameters Imin, Imaxa, Imaxb	27mA, 1.5A, 1.8A	27mA, 1.5A, 1.8A	27mA, 1.5A, 1.8A



ENVIRONMENTAL SPECIFICATIONS

OPERATING TEMPERATURE	-10 °C ≈ +55°C
HUMIDITY	%0 ≈ %95 Relative Humidity
ENVIRONMENTAL CATEGORY	IP30

PHYSICAL SPECIFICATIONS

CASE MATERIAL	Metal & PC/ABS
DIMENSIONS (H x W x D)	265 x 310 x 100 mm
WEIGHT	1,6 Kg (without battery)