

SA840 ADDRESSABLE FIRE ALARM SIREN



The SA840 Addressable Indoor Siren is designed for audio/visual warning in an addressable system. It is ideal for providing warnings in fire and security applications of buildings such as hotels and residences during emergency situations. The SA840 emits a loud warning to ensure prompt evacuation of building occupants. SA840 series sirens can be connected by the loop in the addressable fire alarm system. Any address between 1 and 250 can be assigned to the siren. Upon activation, the SA840 initiates an auditory alert. It also provides a visual alert with a red indicator. These indicators have a 360° field of view. The device can be reset by de-energizing the power supply.

Features

- Robust and aesthetic ABS plastic case
- Transparent red color
- visual warning led and flash
- 95 dB sound intensity at 1 meter (max. 105dB)
- Loop powered
- Programmable with RB1201 address programmer
- Programmable address information in nonvolatile memory
- EN54-3 Certified



EN54-3:2001
CPR No: 1922-CPR-2167

TECHNICAL SPECIFICATIONS

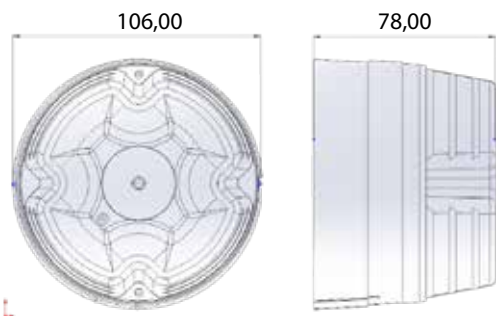
LOOP OPERATING VOLTAGE	16 - 30 Vdc
LOOP OPERATING CURRENT	<200µA @ 24 VDC (every 8 seconds with LED blink enabled)
MAXIMUM ALARM CURRENT	<30 mA @ 24 VDC (LED on)
SOUND INTENSITY	95 dB nom. (max. 105 dB)

ISOLATOR SPECIFICATIONS

ISOLATOR TYPE/SWITCH CURRENT	SSCS (A.3) / 230-400mA
ISOLATOR RECONNECT/LEAKAGE CURRENT	3-13mA / max. 18mA
STANDBY CURRENT/SERIAL RESISTANCE	max. 150uA / max. 1 ohm

ENVIRONMENTAL SPECIFICATIONS

HUMIDITY	10% - 93% Relative Humidity, Non-condensing
OPERATING TEMPERATURE	-10°C - 50°C



PHYSICAL SPECIFICATIONS

CASE MATERIAL	PC/ABS Case
DIMENSIONS (H x D)	78 x 106 mm
WEIGHT	140 grams